



MASTER INSTRUMENT CORPORATION

**SINGLE-PHASE BRIDGE RECTIFIER
W005M THRU W10M**

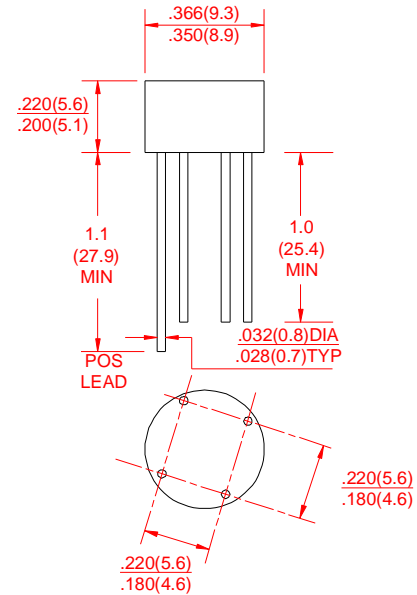
**VOLTAGE RANGE 50 to 1000 Volts
CURRENT 1.5 Amperes**

FEATURES

- l Low cost
- l This series is UL recognized under component index, file number E127707
- l High forward surge current capability
- l Ideal for printed circuit board
- l High temperature soldering guaranteed: 260°C/10 second, 0.375”(9.5mm) lead length at 5 lbs. (2.3kg) tension.

MECHANICAL DATA

- l Case: Molded plastic body
- l Terminal: Lead solderable per MIL-STD-202E method 208C.
- l Polarity: Polarity symbols molded on case
- l Mounting position: Any
- l Weight: 0.042ounce, 1.2grams



Dimensions in inches and (millimeters)

MAXIMUM RATINGS AND ELECTRICAL CHARACTERISTICS

Ratings at 25°C ambient temperature unless otherwise specified.
Single phase, half wave, 60Hz, resistive or inductive load.
For capacitive load derate current by 20%.

	SYMBOLS	W005M	W01M	W02M	W04M	W06M	W08M	W10M	UNITS
Maximum Repetitive Peak Reverse Voltage	V _{RRM}	50	100	200	400	600	800	1000	Volts
Maximum RMS Voltage	V _{RMS}	35	70	140	280	420	560	700	Volts
Maximum DC Blocking Voltage	V _{DC}	50	100	200	400	600	800	1000	Volts
Maximum Average Forward Rectified Output Current, at T _A =25°C	I _(AV)	1.5							Amps
Peak Forward Surge Current 8.3ms single half sine-wave superimposed on rated load (JEDEC Method)	I _{FSM}	50							Amps
Maximum Instantaneous Forward Voltage at 1.0A	V _F	1.0							Volts
Maximum DC Reverse Current at rated DC blocking voltage	T _A =25°C	10							µAmps
	T _A =100°C	0.5							mAmps
Typical Junction Capacitance(Note1)	C _J	15							pF
Typical Thermal Resistance(Note2)	R _{θJA}	40							°C/W
Operating Temperature Range	T _J	-55 to +125							°C
Storage Temperature Range	T _{STG}	-55 to +150							°C

NOTES:

1. Measured at 1.0MHz and applied reverse voltage of 4.0 volts.
2. Unit mounted on P.C. board with 0.22”×0.22”(5.5×5.5mm)copper pads,0.375”(9.5mm)lead length.



MASTER INSTRUMENT CORPORATION

SINGLE-PHASE BRIDGE RECTIFIER
W005M THRU W10M

VOLTAGE RANGE 50 to 1000 Volts
CURRENT 1.5 Amperes

RATINGS AND CHARACTERISTIC CURVES W005M THRU W10M

