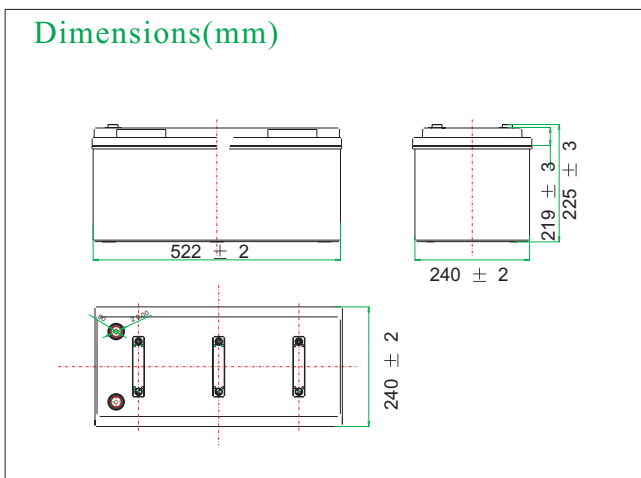


Maintenance-Free Rechargeable Sealed Lead-Acid Battery

DMD12-200 (12V200AH) Specification

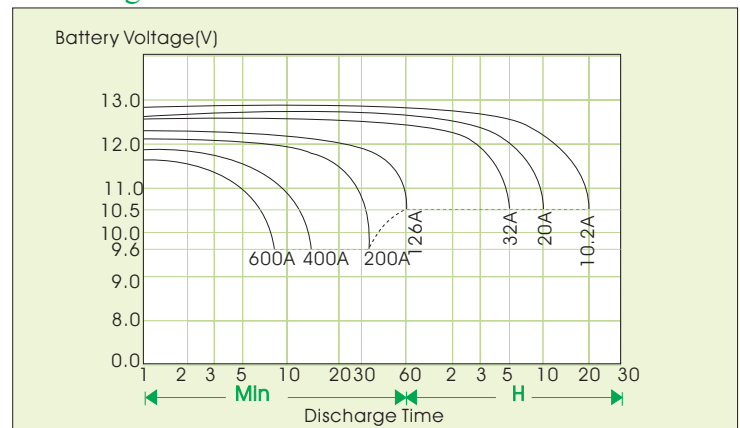


Capacity 25°C (77°F)	20hourrate (10.2A)	204AH
	10hourrate (20A)	200AH
	5hourrate (32A)	160AH
	1hourrate (126A)	126AH
Capacity affected by temperature	40°C (104°F)	103%
	25°C (77°F)	100%
	0°C (32°F)	86%
	-15°C (5°F)	65%
Self-discharge at 25°C (77°F) (Before recharge)	Capacity after 3 month	91%
	Capacity after 6 month	82%
	Capacity after 12 month	64%
Constant voltage charge	Cycle	Initial Charging Current ≤ 60A 14.4V~15V at 25°C (77°F)
	Standby	13.5V~13.8V at 25°C (77°F)
Max discharge current for 5 seconds		3000A



Nominal voltage		12V
Rated Capacity (10 HR)		200AH
Approx Weight		57.80kg
Terminal	Standard	13-M8
	Optional	
Operation Temperature		
Charge	0°C(32°F)~40°C(104°F)	
Discharge	-20°C(-4°F)~50°C(122°F)	
Storage	-20°C(-4°F)~40°C(104°F)	

Discharge characteristic



Note: Discharge shall be cut-off at 10.5V if discharge at $< 1C_A$ and at 9.6V if at $\geq 1C_A$. It is recommended to recharge battery by constant-voltage charge immediately after use.

Constant current (Amp) and Constant Power (Watt) Discharge Table at 25°C (77°F)

Final voltage	Time (min)	5	10	15	20	30	60	120	180	300	600
		1.80VPC	A	730.00	492.76	398.26	265.44	219.14	125.28	82.48	43.76
	W	7665.00	5170.00	3588.00	2787.00	2301.00	1445.00	866.00	586.00	410.00	230.00
1.75VPC	A	730.56	493.05	398.76	265.81	219.42	126.00	82.66	44.00	32.00	20.00
	W	7671.00	5175.00	3591.00	2791.00	2304.00	1448.00	868.00	588.00	412.00	232.00
1.70VPC	A	731.05	493.43	399.12	266.19	219.71	126.35	83.05	44.35	32.25	20.18
	W	7676.00	5178.00	3593.00	2795.00	2307.00	1451.00	872.00	590.00	415.00	234.00
1.65VPC	A	731.24	493.33	399.56	266.48	219.90	126.68	83.33	44.61	32.42	20.34
	W	7678.00	5180.00	3596.00	2798.00	2309.00	1454.00	875.00	593.00	419.00	237.00
1.60VPC	A	731.43	493.71	400.00	266.67	220.00	127.15	83.43	44.89	32.59	20.51
	W	7680.00	5184.00	3600.00	2800.00	2310.00	1456.00	876.00	594.00	420.00	238.00