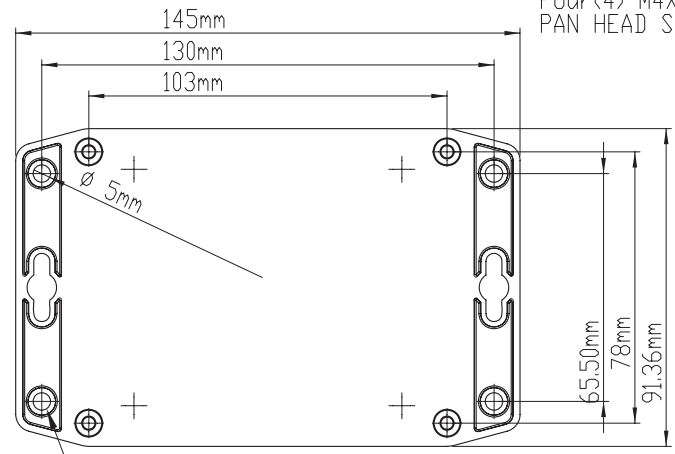
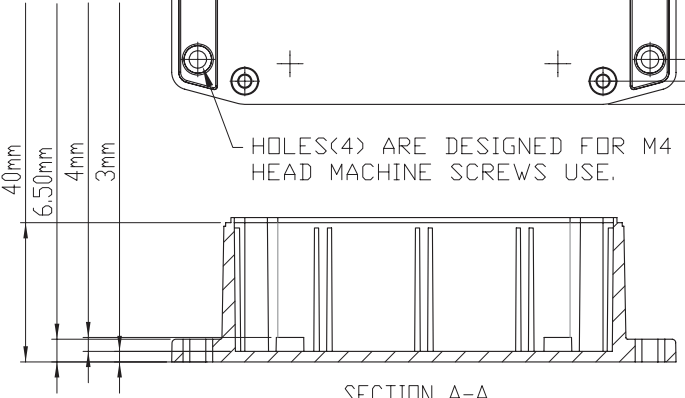


HOLES(4) ARE DESIGNED FOR M3X4mm SELF-TAPPING SCREWS USE.

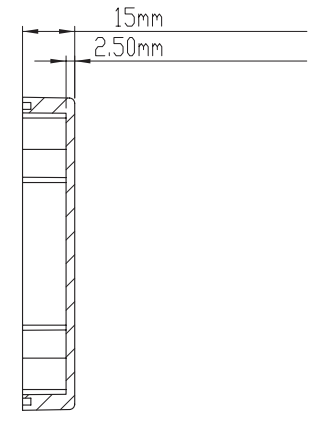
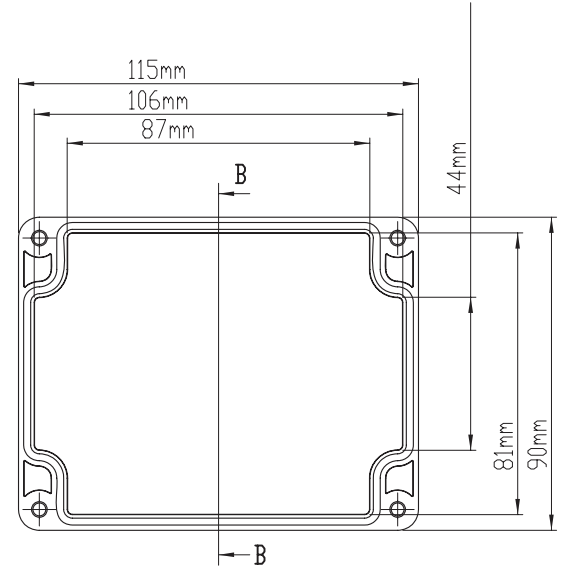
Four(4) M4X20mm PAN HEAD SCREWS.



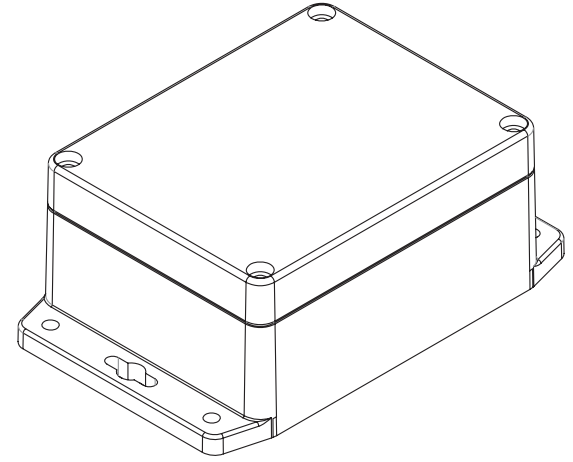
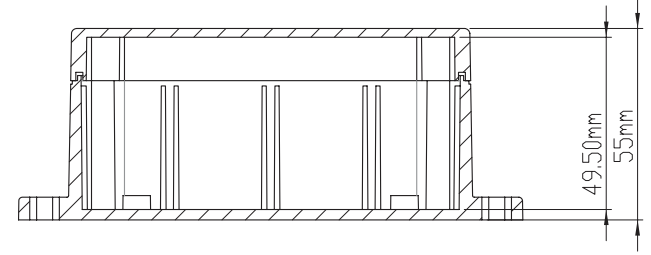
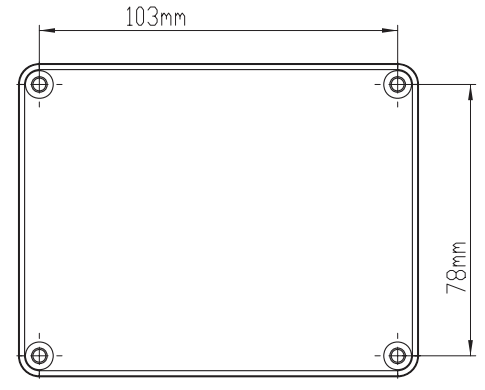
HOLES(4) ARE DESIGNED FOR M4 PAN HEAD MACHINE SCREWS USE.



SECTION A-A
SCALE 2 : 3



SECTION B-B
SCALE 2 : 3



TOLERANCES: ± 0.30 mm (± 0.012 in)