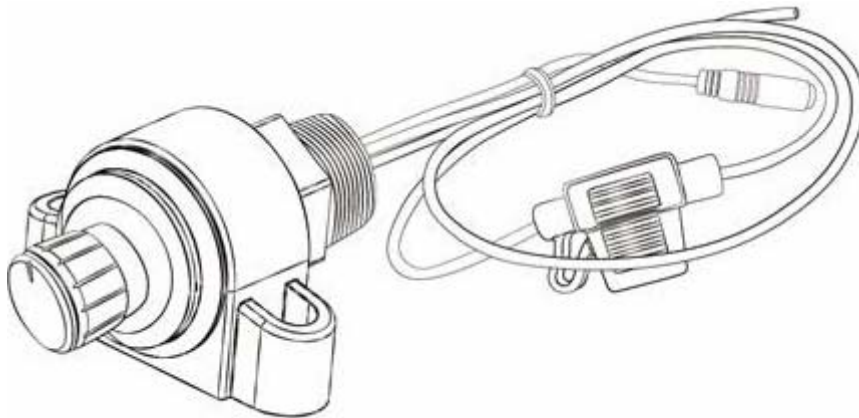


RESPONSE

User Manual

Bluetooth® Handsfree Panel Mount With Microphone

AR-3129



Instruction	Duration
Tap	Press once briefly
Turn	Turn knob once briefly
Turn and Hold	Turn knob and hold it for 3 seconds
Press and Hold	Press the knob and keep it pressed in for 3 seconds

Pairing

- Press and Hold the knob until you see red and blue LED lights blinking. This puts the device into pairing mode.
- Turn your phone Bluetooth® on and set it to search for the device (AR-3129).
- On your phone, click on AR-3129 and set to pair.

Connection Diagram:



Microphone

- Connect the supplied microphone (or another microphone of your choice with 3.5mm jack) to the auxiliary input at the back.
- Mount the microphone somewhere in the vehicle.

Speakers

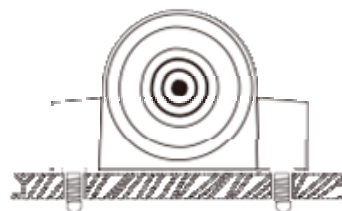
- Insert a 3.5mm auxiliary cable into the back of the device to connect it to your source speakers or amplifier.

Installation Instructions

- Attach the red wire to 12V +
- Attach the black wire to 12V –

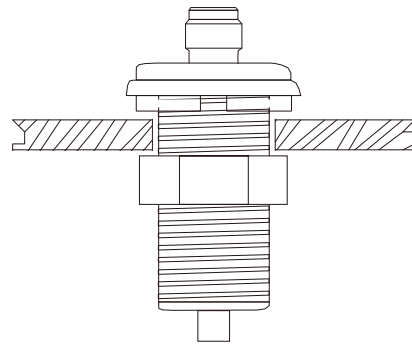
Surface Mount Instructions

- Use 2x Phillips screws to mount



Flush Mount Instructions

- Drill a 22mm diameter hole.
- Unscrew the locking nut on the back of the device and pull the surface mount bracket off.
- Slide the device through the hole and screw the nut on the back side.



Adjustment:

- The orientation of the unit can be adjusted in either of the mounting positions simply by loosening the nut at the back and rotating the device.

Operating Instructions

Play music	Tap knob once
Pause music	Tap knob once to pause, tap again to resume playing
Skip one track forward	Turn the knob clockwise
Skip one track back	Turn the knob counter-clockwise
Adjust volume up	Turn and Hold the knob clockwise
Adjust volume down	Turn and Hold the knob counter-clockwise
Answer a call	Tap the knob to answer a call when phone rings
Answer a call when playing music	Tap the knob and the music will pause and call will be answered. When the call is ended the music will resume
End a call	Tap the knob to end an active call
Reject a call	Press and Hold the knob when the phone rings to reject a call
Redial a call	Tap the knob twice to redial the last call

NOTE

- Never attempt to open, repair, or modify any part of the unit.

IMPORTANT

- Check local laws regarding the use of a mobile phone and a handsfree kit while driving. If you use the Bluetooth® unit while driving, ensure your attention and focus remains on your responsibility of driving safely.

Distributed by:
TechBrands by Electus Distribution Pty. Ltd.
320 Victoria Rd, Rydalmere
NSW 2116 Australia
Ph: 1300 738 555
Int'l: +61 2 8832 3200
Fax: 1300 738 500
www.techbrands.com