

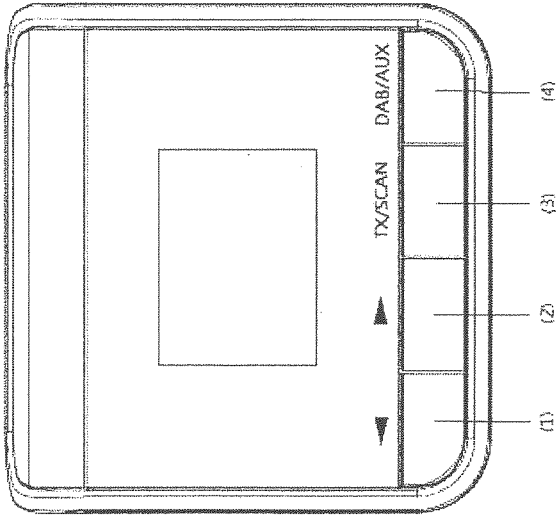


## In Car DAB+ Digital Radio Receiver & FM Transmitter User Manual



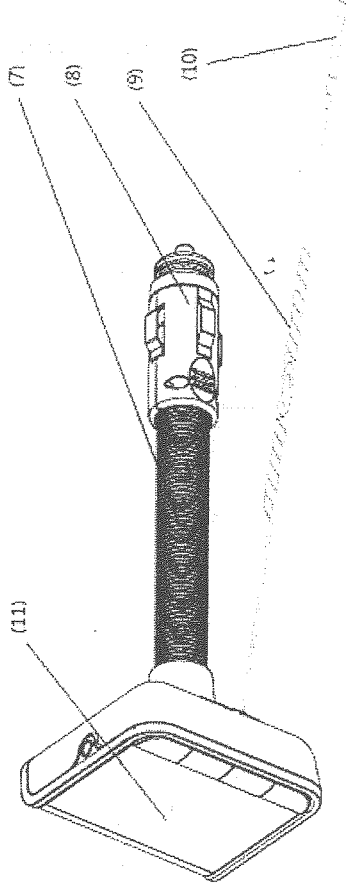
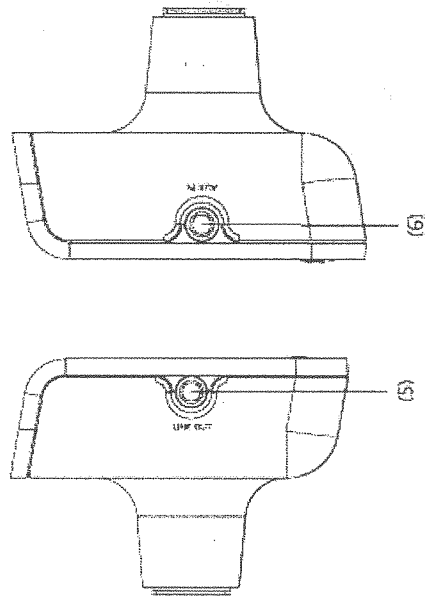
### Safety Instructions:

1. Do not use this radio near water.
2. Clean with dry cloth.
3. Do not block any ventilation openings.
4. Do not use near heat objects.
5. Use accessories provided with the unit.
6. Do not allow this unit to be exposed to water, steam, sand or other environmental hazards.
7. Do not leave your radio where excessive heat could cause damage.



**Controls:**

- 1. Channel Down
- 2. Channel Up
- 3. TX/SCAN
- 4. DAB/AUX
- 5. LINE OUT Jack
- 6. AUX IN Jack
- 7. Bendable Body
- 8. Cigar-lighter Plug
- 9. Charging Cable
- 10. Adaptoes Jack
- 11. Display



**Operating your In-Car DAB+ Digital Radio Receiver:**

1. Plug the In-Car DAB+ Radio to car cigarette lighter socket.
2. The display will show a start up screen and then enter DAB+ mode.
3. For first time use, you need to scan all the local DAB+ channels by pressing "DAB/AUX" button for 3 seconds to activate the "Auto Scan", all available radio channels will be scanned and saved until another "Auto Scan" is performed. During the scan, a progress bar will be shown in the display to indicate the progress and the total number of channels received.
4. Once the scan is complete, you can select any DAB+ radio channels by pressing "▶" and "◀" buttons.

**Receive signal from the In-Car DAB+ radio through line out cable:**

1. Connect your car's audio stereo system's "Aux-in" or "Line-in" to the "LINE OUT" jack on the left-hand side of the unit, using the provided 3.5mm audio cable.

NOTE: Function can only work with a Car Stereo system with a Aux/Line in

**Receive signal from the In-Car DAB+ radio through FM transmission:  
--Select FM Transmitting Frequency (Auto):**

1. Press "TX/SCAN" button to show FM transmitting frequency (TX FREQ).
2. Then press and hold "TX/SCAN" button for 3 seconds to activate the automatic scanning feature, the unit will search for a transmission frequency that is without any interference. The scanning process will take 20-30 seconds, the scan will stop once it locates a suitable frequency.
3. Press and hold "TX/SCAN" button once again to confirm the selected frequency.
4. The screen will go back to DAB+ mode automatically after 3 seconds and the selected frequency (TX FREQ) will be shown on the top of the display in red text. e.g. TX108.0MHz
5. Tune your car's FM radio to the selected frequency (TX FREQ), the unit will transmit the audio signal to the FM radio. Then connect an audio device to the unit's Line input using the supplied 3.5mm audio cable.

**--Select FM Transmitting Frequency (Manual):**

1. Press "TX/SCAN" button to show FM transmitting frequency (TX FREQ).
2. Then press either "▶" or "◀" buttons to select an available frequency for the unit to transmit off.

NOTE: Attempt to use a channel not or not near a local Radio station frequency

3. Once selected, the screen will go back to DAB+ mode after 3 seconds and the selected frequency will be shown on the top of the display in red text.

**Search and select DAB+ channel:**

1. Select DAB+ mode by using the "DAB/AUX" button.
2. Press the "▶" or "◀" button to select the desired DAB+ channel.
3. You may also press and hold the "DAB/AUX" button for 3 seconds to activate the "Auto Scan" process if you need to update the DAB+ radio channels.
4. Press the "▶" or "◀" button to select the desired DAB+ channels.

### Service Information: DAB+ mode

While listening to DAB+ radio, the display may show the following details should the Radio station broadcast this information:

1. Program type
2. Multiplex Name
3. Time
4. Channel Name
6. Frequency
7. Volume level
8. Signal Strength
9. Transmitting Frequency

### Selection of Screen Background and Font colour:

The colour of screens background and font can be set to three different combinations:

1. Black background/white font
2. Black background/blue font
3. Black background/orange font

To set the colour, follow the simple procedure below:

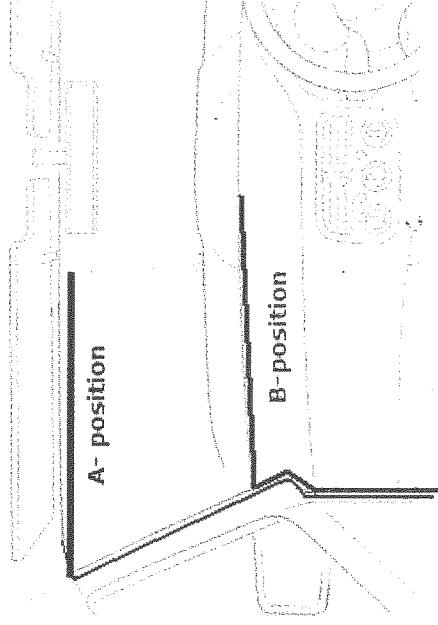
- Press both buttons TX/SCAN and DAB/AUX simultaneously for 3 seconds, a screen of color selection menu will be shown
- Use one of the Arrow "▶" or "◀" buttons to scroll and select the color

- Once the colour is selected, press button DAB/AUX to confirm and exit.

### Connecting and Mounting DAB+ Antenna Inside the car:

Connect the provided DAB+ antenna to the 75 Ohm connector of the device and attach the other end of antenna to a straight horizontal position with a length of at least of 60cm with the help of suckers (as shown in the A-Position or B-Position below) at the top or bottom of the windshield.

Remark: A- position is the best location of antenna for good reception.



Do not attach the DAB antenna above heater wires, in a location which would obstruct the view of the driver, or in a location that would receive interference from metal. For your safety, do not run

cables so were they interfere with operation of the vehicle, or through a location that would interfere with the function of the airbags.

#### **Charging iPad/iPhone/iPod/mobile phones/tablets/camera:**

1. Select correct adaptor from the provided package or use your mobile phone USB cable and plug into the charging cable jack.
2. Connect to your device and start charging. (Charging Power Output: 5V, 1.5A, the current will charge iPads but at a lower rate)

#### **Select language and restore factory setting:**

1. Press and hold both **▶** and DAB/AUX buttons for three seconds, then press **◀** and **▶** to select language or restore factory setting.
2. Press DAB/AUX button to confirm and exit.

#### **Check the Software Version of the device:**

1. Press and hold both **◀** and DAB/AUX buttons for three seconds, the software version of the device will be shown.
2. Press any button to exit.

#### **Specification:**

- Radio Format: Digital DAB+ & FM Transmitter
- DAB+ Frequency: Band III (174.0-239.0MHz)
- FM Transmitting Frequency: 87.5-108.0MHz
- Audio Aux-in / Line-out: 3.5mm stereo jack
- Power Source: Car Cigarette Socket (10-30V)
- Power Output : 5V, 1.5A
- Dimension: 66x60x190mm
- Weight(Net): Approx. 128g

\*Information of this user manual is subject to change without prior notice.