

MUSIC CENTRE HI-FI CD/MP3 TURNTABLE & CASSETTE W/ DIRECT ENCODING



– OWNER'S MANUAL – MODEL NO. GE4132



CAUTION RISK OF ELECTRIC SHOCK DO NOT OPEN



CAUTION: TO REDUCE THE RISK OF ELECTRIC SHOCK, DO NOT REMOVE COVER (OR BACK). NO USER-SERVICEABLE PARTS INSIDE. REFER SERVICING TO QUALIFIED SERVICE PERSONNEL.



The lightning flash with arrowhead symbol, within an equilateral triangle, is intended to alert the user to the presence of un-insulated "dangerous voltage" within the product's enclosure that may be of sufficient magnitude to constitute a risk of electric shock to persons.



The exclamation point within an equilateral triangle is intended to alert the user to the presence of important operating and maintenance (servicing) instructions in the literature accompanying the appliance.

WARNING:

TO REDUCE THE RISK OF FIRE OR ELECTRIC SHOCK, DO NOT EXPOSE THIS APPLIANCE TO RAIN OR MOISTURE.

CAUTION

- DO NOT REMOVE THE EXTERNAL CASES OR CABINETS TO EXPOSE THE ELECTRONICS. NO USER SERVICEABLE PARTS ARE WITHIN!
- USE OF CONTROLS OR ADJUSTMENTS OR PERFORMANCE OF PROCEDURES OTHER THAN THOSE SPECIFIED HEREIN MAY RESULT IN HAZARDOUS RADIATION EXPOSURE.

CAUTION!



Visible and invisible laser radiation when open and interlocks defeated. Avoid exposure to beam.

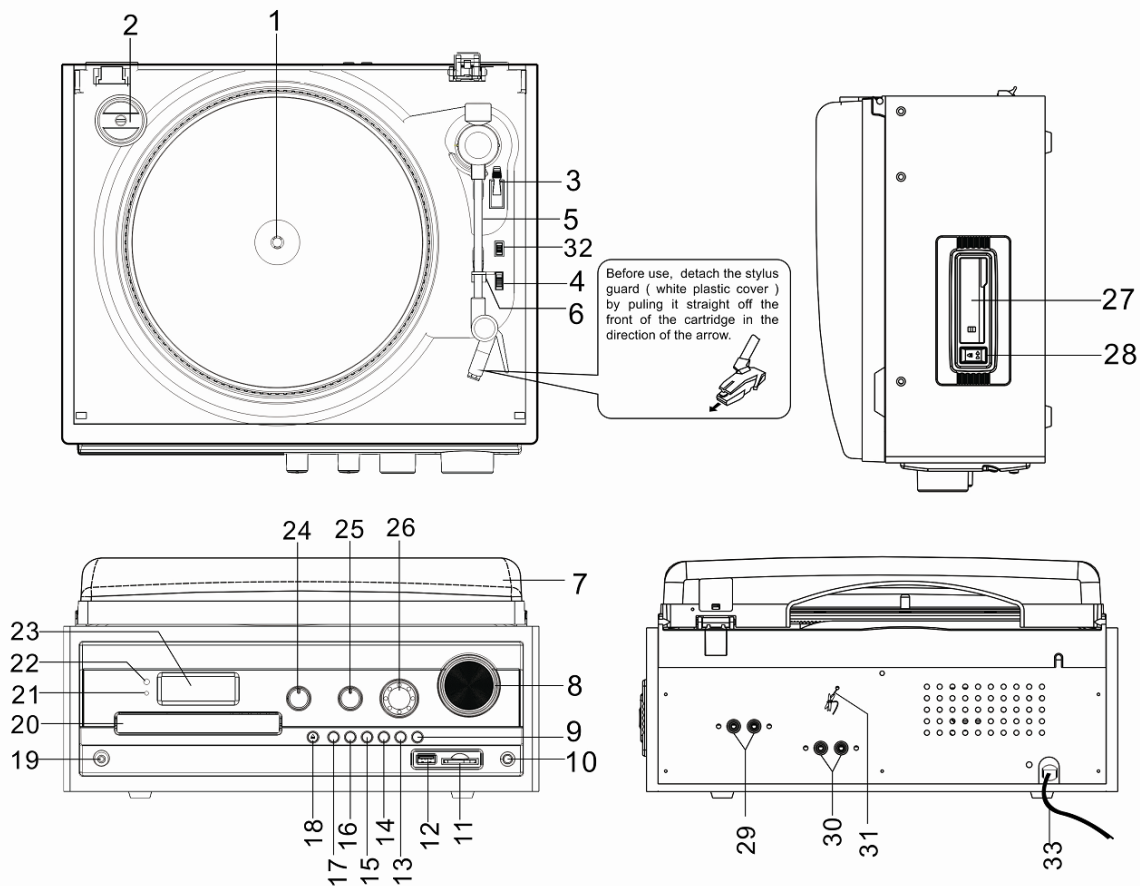


The crossed out "Wheeled bin" is intended to show that this appliance must not be placed with ordinary household waste.

When this appliance has reached the end of its useful life, it must be disposed of in accordance with local by-laws. Consult our local waste disposal authority (WEEE Directive)

- Do not install this equipment in a confined space, such as a book case or built in cabinet.
- The apparatus must not be exposed to dripping or splashing.

LOCATION OF CONTROLS



1. Turntable
2. 45 RPM Adaptor
3. Cue-lever (use this lever to lift the tone arm)
4. Speed Selector
5. Tone Arm
6. Tone Arm Holder
7. Dust Cover
8. Volume Control
9. Mode Button (Program, Repeat 1, Repeat Album, Repeat All, Random)
10. Bass Boost Button
11. SD/MMC Card Slot
12. USB Port
13. Skip + Button
14. Skip - Button
15. Stop/ CD/USB/SD Button
16. Play / Pause Button
17. Record Button
18. Open / Close Button
19. Headphone Jack
20. CD Door
21. Power Indicator
22. IR Sensor
23. Display
24. Function Selector
25. Band Selector
26. Tuning Knob

27. Cassette Door
28. Cassette Eject / Rewind Knob
29. Speaker RCA connector
30. Aux RCA Line-Out Output Socket
31. FM Antenna
32. Auto Stop (ON/OFF) Selector
33. AC Power Cord

Remove the stereo carefully from the box, retaining the packaging for future use.

AC POWER OPERATION

Connect the plug to a mains power inlet AC 240V -50Hz.

AM/FM TUNER

Operation

1. Set the Function Selector (24) to the Radio position.
2. Select the desired frequency band with the Band Selector (25).
3. Tune to the desired radio station by turning the Tuning control (26).
4. Adjust the volume (8) control to desired level.
5. To turn off the radio, set the Function Selector (24) to the Power OFF/ TAPE position.

Antenna

Wire and move it around to obtain the best reception.

For AM reception the signals are picked up through a built-in ferrite antenna.

You may have to orient the unit to obtain the best reception.

FM Stereo and Mono Reception

When an FM signal is tuned in, setting the Band selector (25) to FM ST. position will enable the broadcasting to be received in stereo sound. The FM Stereo indicator will appear on dial pointer.

TURNTABLE OPERATION

Preparation

Open the Record Player Cover.

Release the Tone arm Clamp, and remove the stylus protector.

Listening to Records

1. Set the Function Selector (24) to the PHONO position.
2. Place a record on the turntable, over the central spindle. Place the EP adapter over the central spindle when playing 17cm EP records.
3. Set the Speed Selector (4) to 33 or 45 or 78 rpm according to the record.
4. Release the tone clamp, and remove the protective cap from the stylus.
5. Lift the Tone arm with the Tone arm Lift Lever.
6. Move the tone arm to the beginning of the record, or to the start of a particular track.
7. Gently lower the tone arm onto the record with the Tone arm Lift lever to start playing.
8. When the record is finished the tone arm will automatically stop. Lift the tone arm from the record and return it to the rest .
9. To stop manually, lift the tone arm from the record and return it to the rest.
10. **Auto stop ON / OFF selector on back panel** - Set the Function Selector (32) ,Switch to ON for turntable auto stop function.
 - For EP 33 RPM – Switch to Auto stop “On” position - It enables the record auto stop when ending.
 - For EP 45 or 78 RPM – Switch to Auto stop “Off” position, It can play the whole song.

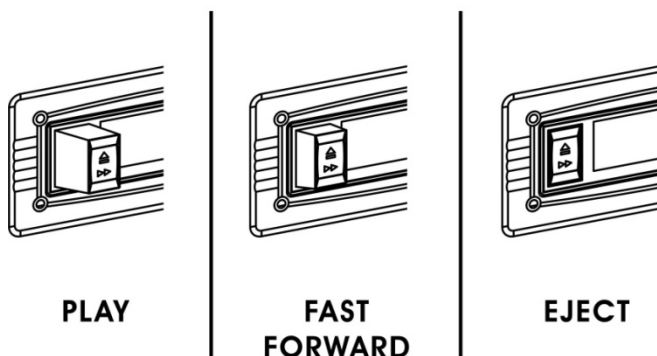
Notes: Do not stop or turn the platter manually.

Moving or jarring the turntable without securing the Tone arm clamp could result in damage to the Tone arm.

Replace the protective cap on the stylus when not in use.

TAPE OPERATION

- (1) Insert a cassette tape into the cassette slot (27)
- (2) Select FUNCTION button(24) on the unit to select the TAPE mode, the unit (tape) will automatically playback.
- (3) Press the Cass Eject / Rewind Knob (28) to half level , the tape will be at high speed to start fast forwarding and the tape can be reached the end or the desired location.
- (4) Press the Cass Eject / Rewind Knob (28) completed to stop all deck operations and POWER OFF.



Aux RCA Line-Out Output

Line out output (For Aux Amplifier connection)

You can connect the unit to external speakers (4 OHM) by connecting the speaker output socket L, R to your external speakers.

HEADPHONE

This unit will accept stereo headphones (not included) with a 3.5mm plug and an impedance of 8 ohms or greater. The speaker are automatically disconnected when headphones are connected to the PHONES JACK (19).

COMPACT DISC/MP3 OPERATION

LOADING AND UNLOADING COMPACT DISCS

Select CD/USB/SD with the Function selector (24) on the unit to choose the CD/MP3 mode.

Open the disc compartment by pressing the CD Open Button (18).

When the disc compartment has opened, remove a disc from its case and place it carefully in the compartment with the label side facing up. Locate smaller, 3?discs, in the centre depression of the compartment.

Close the disc compartment.

When the compartment is fully closed, the disc will start turning automatically. The total number of tracks of the CD will appear on the LCD display.

LISTENING TO COMPACT DISC AND MP3 DISC (CD)

Select CD with the Function selector (24) on the unit to choose the CD mode.

A) In the CD mode

This unit can read CD, CD-R, CD-RW.

B) In the MP3 mode

This unit can also read as below :

1. It can be reading as '8 cm' and 'multi Section' of MP3 DISC.
2. It can be 'Playback Transfer Rate in 56-256 kbps'.

Listening to COMPACT DISC

1. Select CD with the Function selector(24) on the unit to choose the CD mode.
2. Press the PLAY/PAUSE button on the unit once to start playing the CD From the first track, and "play" indicator will appear on the display.
3. Press the PLAY /PAUSE button again to playing the CD "pause" indicator will appear on the display.
4. To stop playback, press the "Stop/Folder UP" button.

TRACK SKIP

Selecting a different track during CD Play

1. Press the SKIP / SEARCH (REW. or F.F.) button on the unit (13,14), the required track number appears on the display.
2. Press the PLAY / PAUSE button on the unit. Starting again with the track that is currently selected.

SKIP/SEARCH MODE FOR MP3 DISC

1. Press FOLDER UP /DOWN by REMOTE (9,10), the Album no. will change.
2. Press SKIP +/SKIP - (REW. or F.F.) buttons (13,14) or by Remote(4,5) the Track no. will change.
3. When the desired track is being selected, press the "PLAY" button to start playback.

REPEAT PLAY IN CD

1. When playing the CD, if you desire to repeat the same track only, press the MODE (9) button on the unit .
2. To repeat all disc, press the MODE twice and the "REP ALL" display will light up.
3. To cancel repeat play, press the STOP button or press the MODE button repeatedly until the repeat indicator disappears.

Note : If in "REPEAT ALL" mode, the normal & program playing will also effect in this function.

RANDOM PLAY in CD

1. When playing press the MODE button **three** times, the "RANDOM" indicator will light up.
2. Press the skip +/- button to start playing. The tracks will be played randomly.
3. To cancel random play, press the MODE Button five time or press the STOP button once again until the random indicator disappears.

PROGRAMMED DISC PLAY (CD)

It is not possible to enter programs during disc play. Press the Stop button (15) first, then follow the instructions below.

1. Press the PROGRAM button (9) on the unit . The following information will be displayed on the CD Display.
2. Press the Forward and Reverse Skip Track buttons (13,14) on the unit to select the track to be stored in location i.e. track 03.
3. Press the PROGRAM(MODE) button to confirm. The first program selection is now stored in the program memory.

Listening to Programmed Tracks

Press the Play Pause button. Disc play will start at the beginning of the first programmed track .

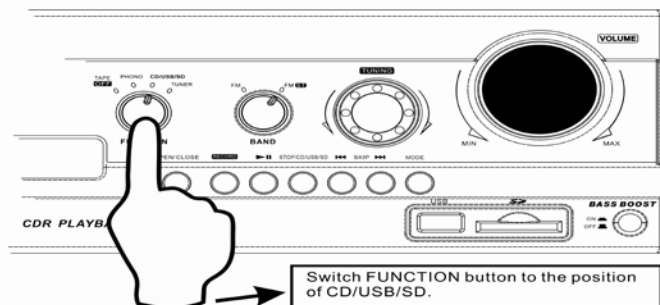
To Clear The Program Memory

If the disc is playing, press the Stop button to stop the disc.

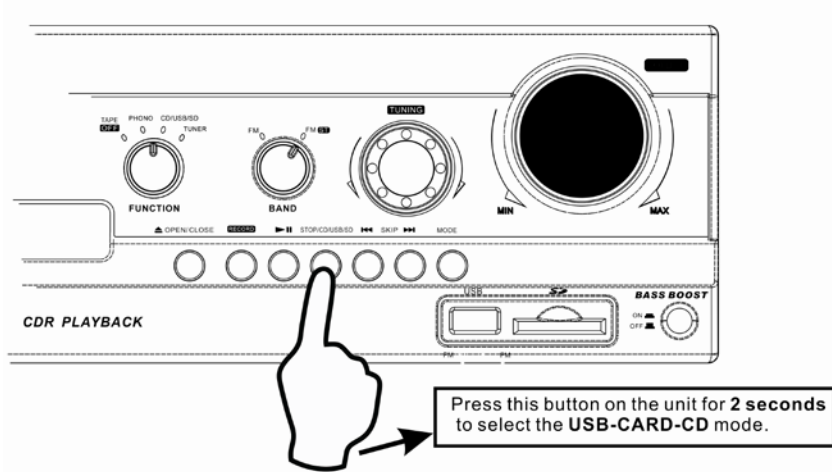
Press the STOP button twice to clean program.

USB, SD CARD OPERATION

1. Insert the USB or SD card.
2. Select FUNCTION button to the position of CD/USB/SD as below diagram.,



3. Press this button on the unit for 2 seconds to select the CARD-USB mode as below diagram :



4. The unit will automatically read the total folders and the number of the total tracks.

NOTE: only Mp3 file format is supported.

*Not all brand of USB flash disc is supported.

PlayingThe Entire SD CARD

- 1.Playback will start by pressing PLAY/PAUSE.Playback starts with the first track,The display shows the current track number and its elapsed time.
- 2.To interrupt playback,press PLAY/PAUSE button.The time elapsed indicator will flash.
- 3.To resume playback,press the PLAY/PAUSE again.
- 4.To stop playback,press the STOP button.

ENCODING AND STORING FROM A NORMAL CD.

You can encode you favorite CD songs into mp3 format and store then into your memory device through the USB port or SD/MMC card slot..

1. Set the Function Selector (24) on the unit to choose the CD mode
2. Press the SKIP +/- button (13, 14) to select the track, then press the PLAY/PAUSE button (16) to be encoded.
3. Press the RECORD button (17) to start sync encoding and the display will show "USB or CARD" flash,
4. Press the RECORD button (17) again to confirm encoded successfully.
5. IF YOU WANT TO CANCEL THE RECORDING PROCESS - Press the STOP/CD/USB/SD button (15) to cancel encoding.

ENCODING AND STORING FROM PHONO.

You can encode you favorite EP songs into mp3 format and store then into your memory device through the USB port or SD/MMC card slot..

1. Set the Function Selector (24) on the PHONO position
2. Select the track no. to be encoded.
3. Press the Record button to start sync encoding and the display will show "USB or CARD" flash.
4. Press the RECORD button (17) again to confirm encode successfully & make sure to complete this step.
5. IF YOU WANT TO CANCEL THE RECORDING PROCESS - Press the STOP/CD/USB/SD button (15) to cancel encoding.

- Remark : Please follow point 4. Otherwise, you will fail the recording. The last song of your tape may be partially missing.

ENCODING AND STORING FROM TAPE.

You can encode you favorite songs into mp3 format and store then into your memory

device through the USB port or SD/MMC card slot..

1. Set the Function Selector (24) on the TAPE/OFF position
2. Select the track no. to be encoded.
3. Press the Record button to start sync encoding and the display will show "USB or CARD" flash.
4. Press the RECORD button (17) again to confirm encode successfully.
5. IF YOU WANT TO CANCEL THE RECORDING PROCESS - Press the STOP/CD/USB/SD button (15) to cancel encoding.

COPYING FROM MP3 DISC

You can copy the files from mp3 disc and store then into your memory device through the USB port or SD/MMC card slot.

1. Insert the mp3 disc and press the function button to sleuth the CD function.
2. Press the SKIP +/- button(13,14) to select the track ,then press the RECORD button (17) that you want to copy.
3. Press the encoding button to start copy the files and the display will show "REC" "USB/CARD" flash.
4. Press the RECORD button (17) again to confirm encode successfully.
5. IF YOU WANT TO CANCEL THE RECORDING PROCESS - Press the STOP/CD/USB/SD button (15) to cancel encoding.

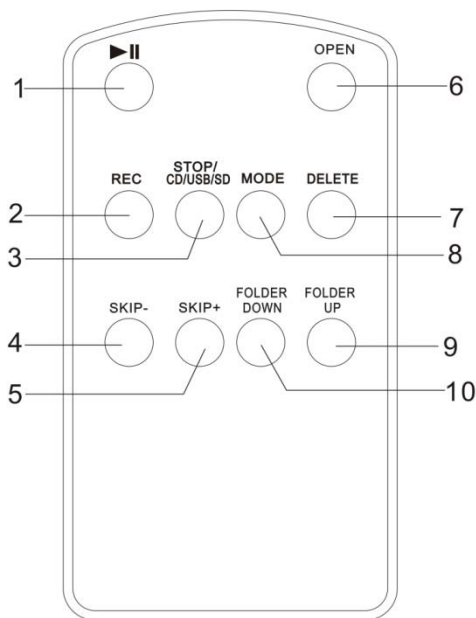
BASS BOOST

Press the Bass boost button once (10)to ON position to enjoy a more powerful Bass sound.

REMOTE CONTROL UNIT

PREPARATION BEFORE USE

1. Remove the battery cover from the back of the remote control unit
2. insert a CR2025 (3V) size battery (included). Insert the battery with the + and – terminals matching the indication inside the battery compartment.
3. Put back the cover.



1. PLAY/PAUSE BUTTON
2. RECORD BUTTON
3. STOP/CD/USB/SD BUTTON
4. SKIP- BUTTON
5. SKIP+ BUTTON
6. OPEN BUTTON
7. DELETE FILE BUTTON
8. MODE BUTTON (Repeat 1,Repeat Album, Repeat All ,Random Program)
9. FOLDER UP
10. FOLDER DOWN

DELETE MP3 FILES BUTTON OPERATION

- (1). Insert the USB or SD card.
- (2) Select the track no. to be deleted.
- (3) Press the DELETE button to start delete track, then Press the DELETE button again to confirm.

BATTERY REPLACEMENT

When the remote control operation becomes unstable or the distance from which remote control is possible becomes shorter, replace the battery with new one.

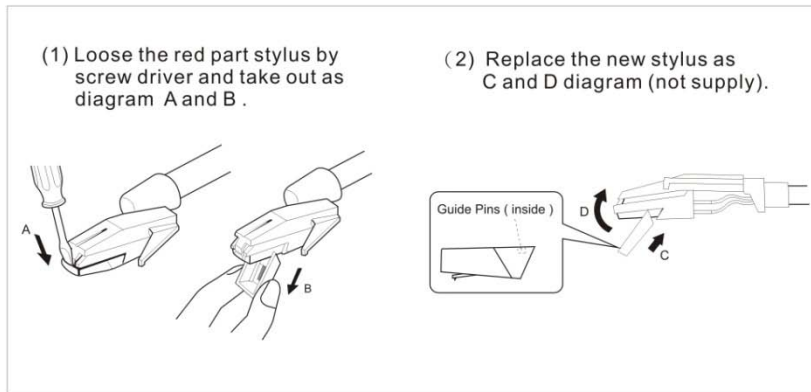
USING THE REMOTE CONTROL UNIT

- To use remote control unit, point it at the remote sensor (5) and press the button gently

and firmly. Remote control is possible within about 5m (approx. 16FT). However, since the remote control range is less when the unit is used at an angle, use directly in front of the remote sensor, as far as possible.

- Do not expose the remote sensor to strong light (direct sunlight or artificial lighting) and make sure that there are no obstacles between the remote sensor and the remote control unit.

THE STYLUS REPLACEMENT



THE ABOVE DIAGRAM IS SHOWN HOW TO REPLACE A STYLUS AND FOR REFERENCE ONLY. NO EXTRA STYLUS IS SUPPLIED WITH THE UNIT.

SPECIFICATIONS

Power Supply
AC: 240V ~ 50Hz
Power consumption: 18 W
Radio Frequency Coverage
FM: 87.5 - 108 MHz
AM: 525 – 1620 KHz