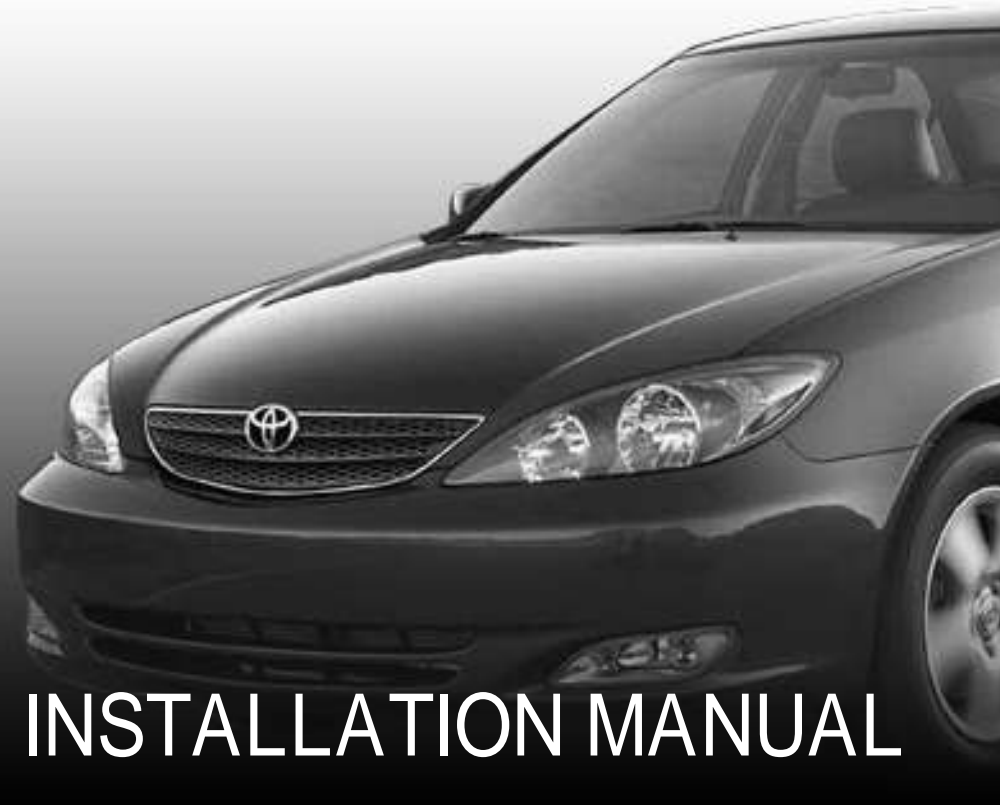




5-button Car Alarm System

838G



INSTALLATION MANUAL



Notes:

1. This unit is for 12V DC vehicle only.
2. This unit is to reduce the possibility of losing the vehicle by terrifying the thief and informing the owner of the vehicle status.
3. Please ask qualified engineer to install this unit.
4. The wiring should be kept away from high temperature and high voltage places.
5. The wire joints should be insulated.

We have achieved ISO 9001 : 2000 & ISO/TS 16949 : 2002 certifications by tiv Rheinland (Germany) Co., Ltd.



MANUFACTURED BY:
Steelmate Co., Ltd.
<http://www.steel-mate.com>

PCI0198/A

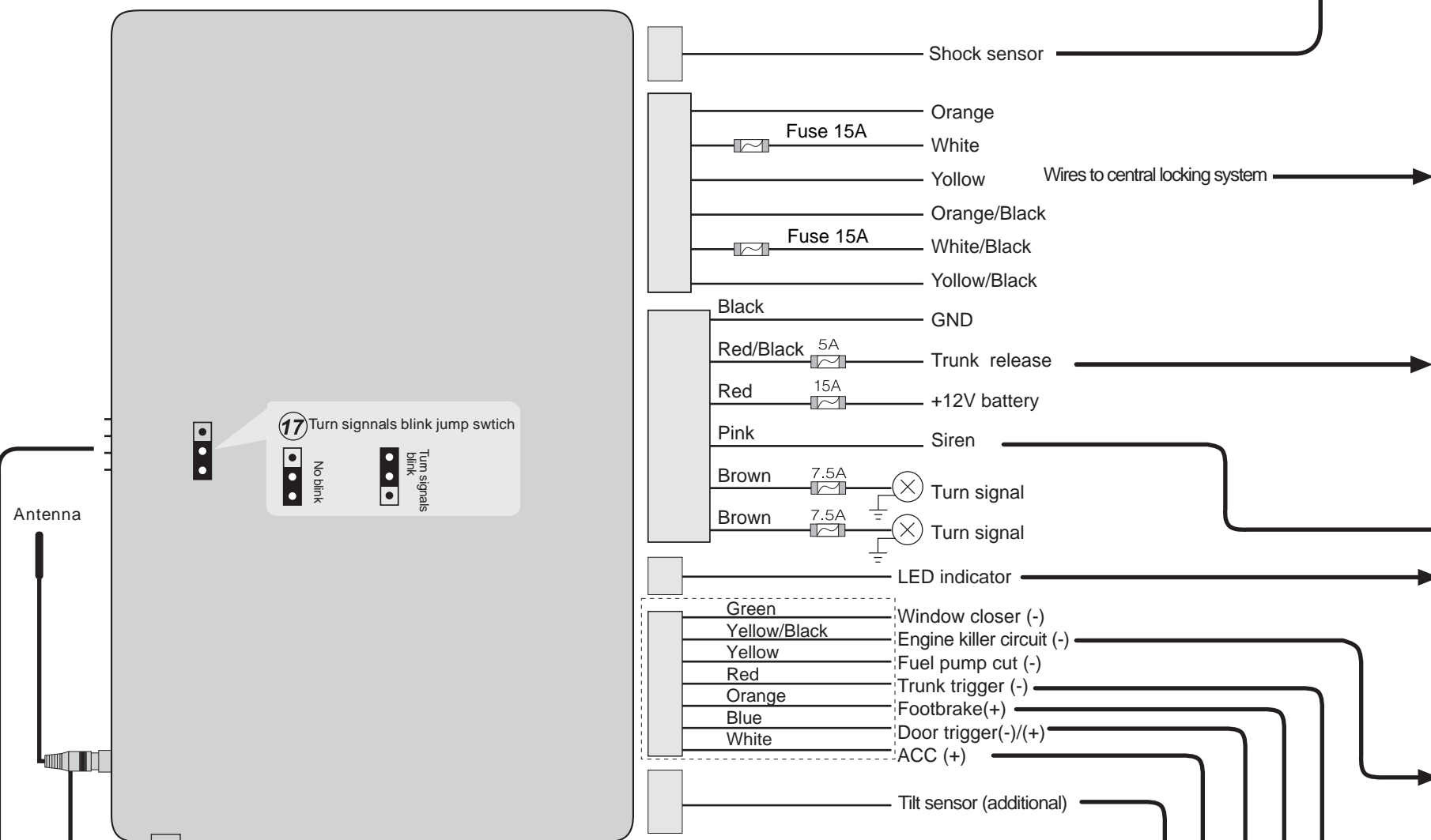
A. Components:
ECU, two transmitters, shock sensor LED indicator, siren, antenna and wire harness.

B. Technical parameters
Voltage: 12V*3V
Static current: <10mA
Frequency: 315 or 433.92 MHz
Siren SPL: 105~125 dB

Factory setting

<input checked="" type="checkbox"/> Electric lock	<input type="checkbox"/> Baro lock
<input checked="" type="checkbox"/> Active arm	<input type="checkbox"/> Passive arm
<input type="checkbox"/> No engine immobilize	<input checked="" type="checkbox"/> Engine immobilize
<input checked="" type="checkbox"/> Door trigger (-)	<input type="checkbox"/> Door trigger(+)
<input checked="" type="checkbox"/> No blink	<input type="checkbox"/> Turn signals blink

D. Wiring diagram

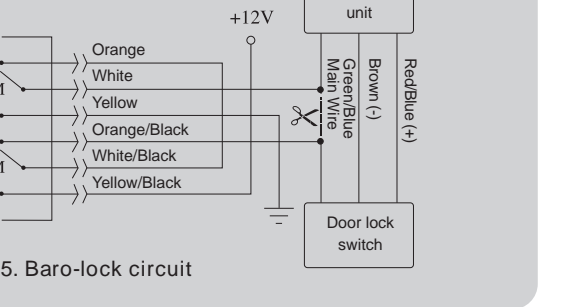
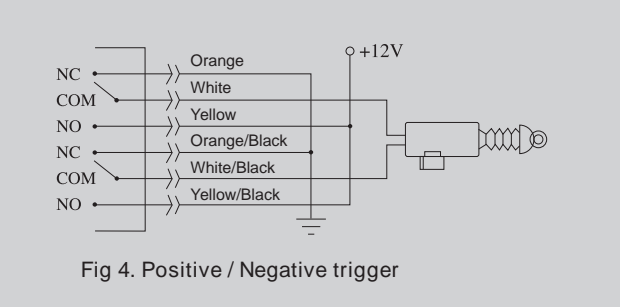
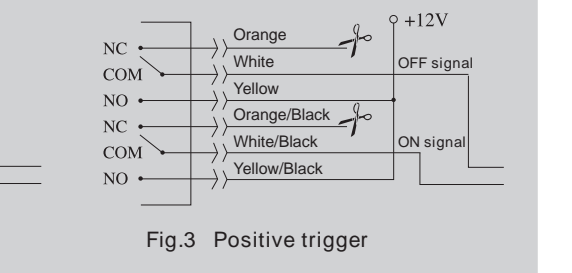
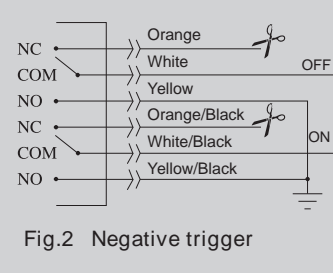
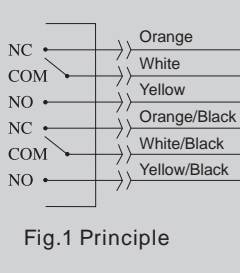


1 Shock sensor installation (Mounted firmly)

To adjust this button clockwise to increase sensitivity.
Red light flashing when impact detected.
(Factory setting sensitivity is suggested)

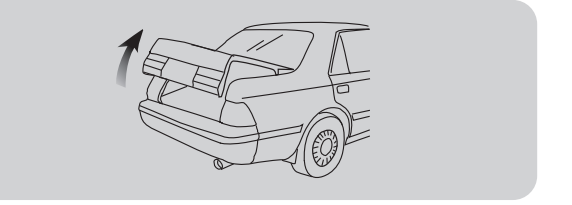
2 Central locking system installation:

1. For the vehicle with original electric central door lock, check its triggering type (negative or positive), then connect wires as per wiring diagrams Fig.2 or Fig.3.
2. For the vehicle with central locking system, while the driver's door do not have motor, the other doors have motor. A new motor for driver's door is needed. Fig. 4.
3. For the vehicle with baro-lock, please change the jumper J1 at "Baro-lock" position of the ECU. Fig. 5.
4. For the vehicle without central locking system, please install one set central locking system to match with the car alarm system. Fig. 2.



3 Trunk release circuit

Trunk switch
Red/Black(+) +12V
Motor lock



4 Installation of LED indicator

The LED indicator should be installed on the dashboard

5 Siren installation

Pink(+)
Water
GND Black

* Important note: The siren can't be connected to +12V. Please mount the siren downwards to prevent water.

6 Engine killer circuit

Yellow Green
+12V White Green
Original circuit of the car
Engine killer relay

8 Boot trigger (-)

Boot light Red(-) Boot switch
+12V

7 Footbrake circuit

Footbrake Orange(+) Footbrake light
+12V

9 ACC circuit

White(+)
Circuit of car

10 Door trigger circuit (-) or (+)

1) Negative door trigger (-) (factory setting)
Dome light Blue(-) Door switch
+12V

2) Positive door trigger (+)
Dome light Blue(+) Door switch
+12V

Notice:
Please choose the correct trigger type according to the vehicle by changing the jump switch J4

11 Installation of tilt sensor (additional)

LED indicator
Sensitivity adjustment button
Mount horizontally.

Stage	LED	Sensitivity
1	flash once	low
2	flash twice	high
3	flash thrice	highest

16 Installation of ECU

1. The ECU should be installed and fixed in a suitable position under the dashboard.
2. Connect wires according to the diagram properly.

15 Learning button

Press and hold the learning button in the ECU, the LED indicator turns on. Press the lock button on the first transmitter, the LED indicator will flash once, then press the lock button on the second transmitter, the LED indicator will turn off. (During the learning program, please keep holding the learning button until the LED indicator turns off). The two new transmitters are OK.

14 Installation of antenna

1. Fix the antenna to the ECU as shown
2. Straighten and suspend the antenna

13 Programmable functions