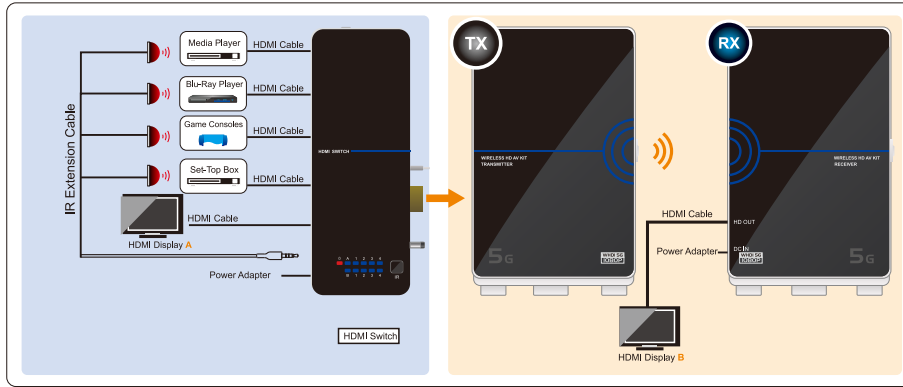


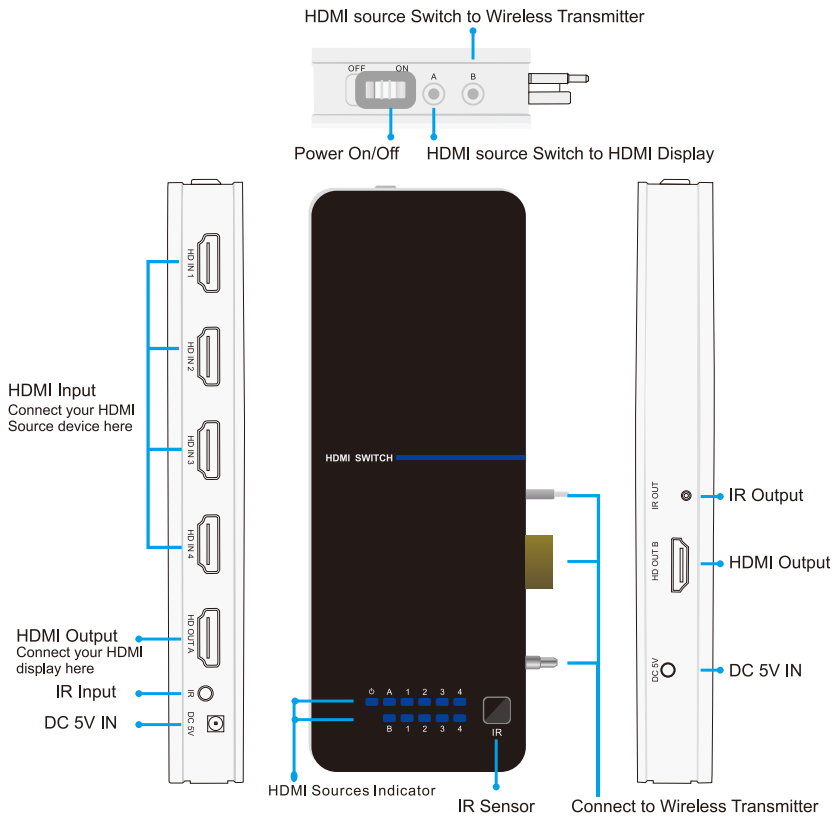
Instruction Manual



1. Place the Transmitter unit and HDMI Switch near your HDMI media device,
2. Connect the HDMI Switch to the Transmitter,
3. Connect the HDMI media device to the HDMI In port of the Transmitter by using a standard HDMI cable (included)
4. Connect the IR Extension Cable to the IR port on the HDMI Switch .
5. Place the other end of the IR Extension Cable near the IR port of your HDMI media device
6. Place the Receiver near you HDMI display/projector, Connect your HDMI display/projector to the HDMI Output port of the Receiver.
7. Connect the power adapter (included) to the DC IN ports of the Transmitter and Receiver.

Once these steps have been completed the Extender is ready to use, simply power on all devices to begin operation.

Diagram



HDMI Switch Unit

Remote Control Diagram



MENU:	Enter to Setup Mode
EXIT:	Exit Setup Mode
SOURCE:	Wireless Transmitter List
ADD:	Searching and adding a new Wireless Transmitter
DELETE:	Delete a Wireless Transmitter
OK:	Confirm Key
SHIFT:	Transmitter name character editing
^ V <>:	Character selection
GUEST:	User Hot Key, default as Sleep Mode function With HDMI Switch
A1-A4:	Switch 4 Video source for Local HDMI Display
B1-B4:	Switch 4 Video source for Wireless HDMI Transmitter