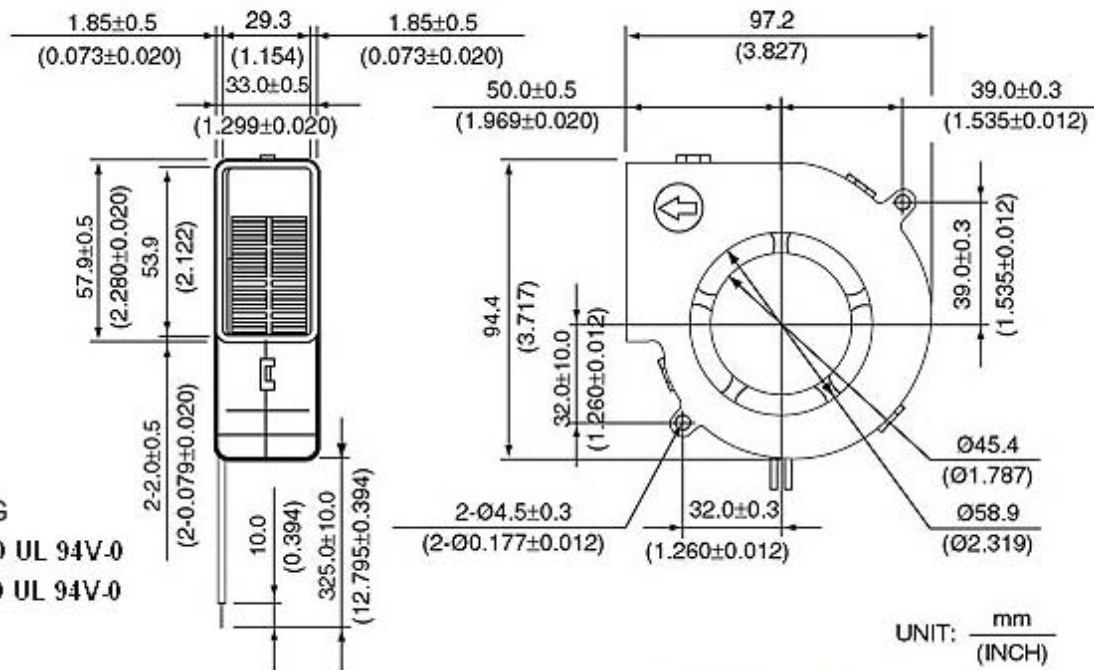




DIMENSION:MM



UNIT: $\frac{\text{mm}}{\text{INCH}}$

Only YX2532 12VDC version ex stock.
All other units available only via indent order.
Indent MOQ: 500pcs

DESIGN FEATURES

- *BEARING SYSTEM:** BALL BEARING & SLEEVE BEARING
- *IMPELLER:** PLASTIC WITH FIBER GLASS FILLED UL 94V-0
- *HOUSING:** PLASTIC WITH FIBER GLASS FILLED UL 94V-0
- *MOTOR:** BRUSHLESS DC
- *CONNECTING:** WIRE LEADS
- *AVAILABLE FG TYPE FOR SPEED SENSOR SIGNAL**

SPECIFICATIONS

Model No.	Voltage (VDC)	Air (CFM)	Volume (M ³ /Min)	Current (A)	Power (W)	Speed (RPM)	Static pressure (Inch-H ₂ O)	Noise (dBA)
YX2532 (S-1)	12	26	0.74	0.86	10.32	3600	1.00	51
	24	26	0.74	0.60	14.40	3600	1.00	51
INDENT (S-2)	12	23	0.65	0.64	7.68	3200	0.75	48
	24	23	0.65	0.40	9.60	3200	0.75	48
INDENT (S-3)	12	19	0.54	0.48	5.76	2600	0.52	44
	24	19	0.54	0.15	3.60	2600	0.52	44

PERFORMANCE

