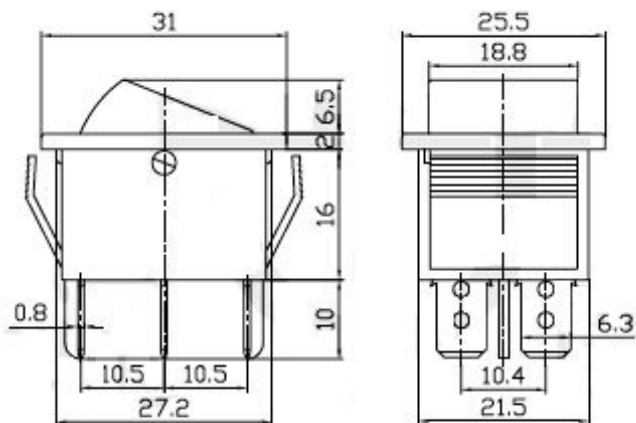


# Double-poles Illuminated Rocker Switch

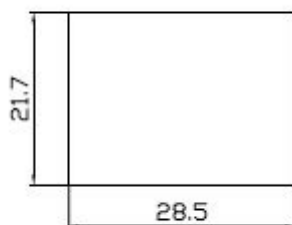
## (Specification)

1. (Rating): 20A 125VAC; 15A 250VAC; 35A 12VDC
2. (Contact R):  $35\text{m}\Omega$  max
3. (Insulation R): 500V DC  $100\text{M}\Omega$  min
4. (Dielectric Strength): 1 Minute 1500V AC
5. (Operating Temperature):  $-25^{\circ}\text{C} \sim +85^{\circ}\text{C}$
6. (Electrical Life): 10, 000 Cycles

## (Outline Drawing)



## (Mounting)



## (Circuitry)

