

duinotech

7" Touch LCD for pcDuino3



XC4356

User Manual

User Manual

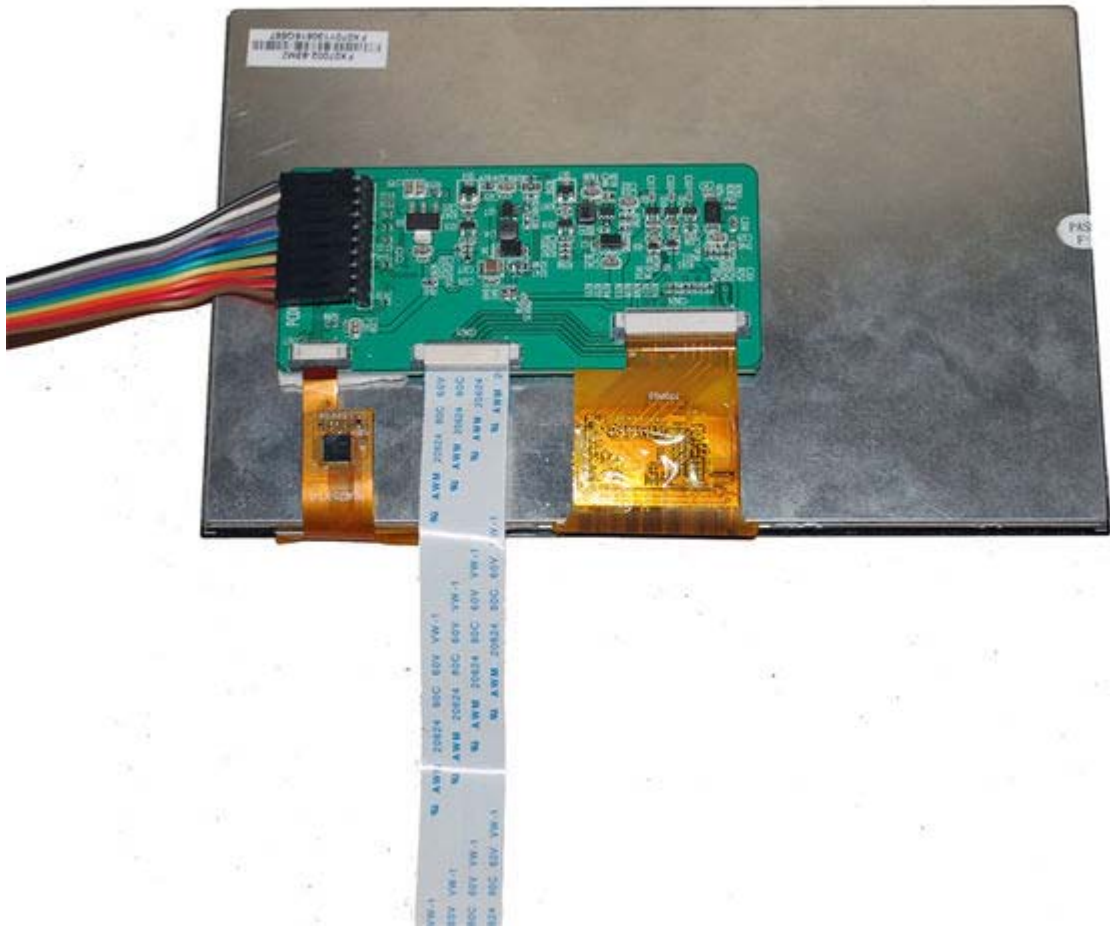
Contents

- Description.....2
- Interface.....4
- Wire connection.....4
- Usage.....5

Description

This is a custom made 7" LVDS LCD with capacitive touch for pcDuino3. It has a resolution of 1024x600.

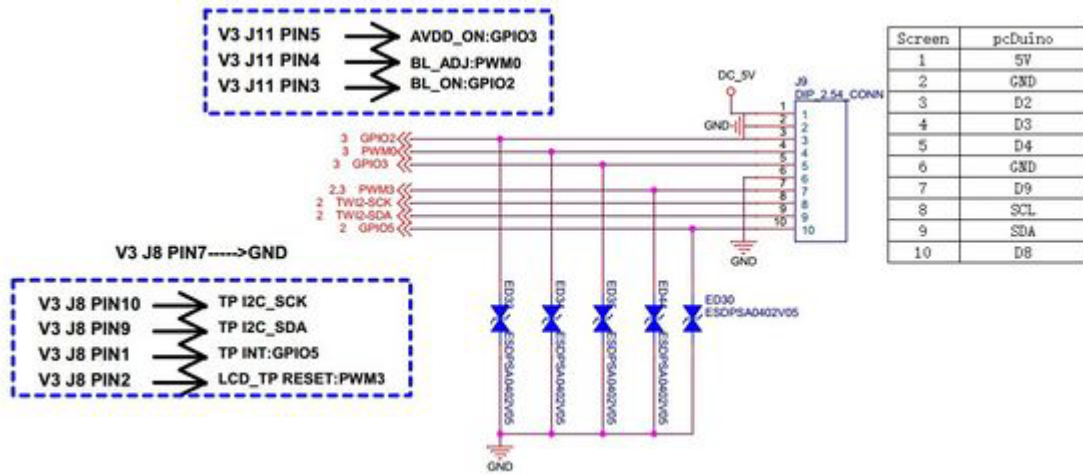




Items Included:

- 1 x LVDS screen with driver board
- 1 x Ribbon cable
- 10 x Male to female jumper wires

Interface

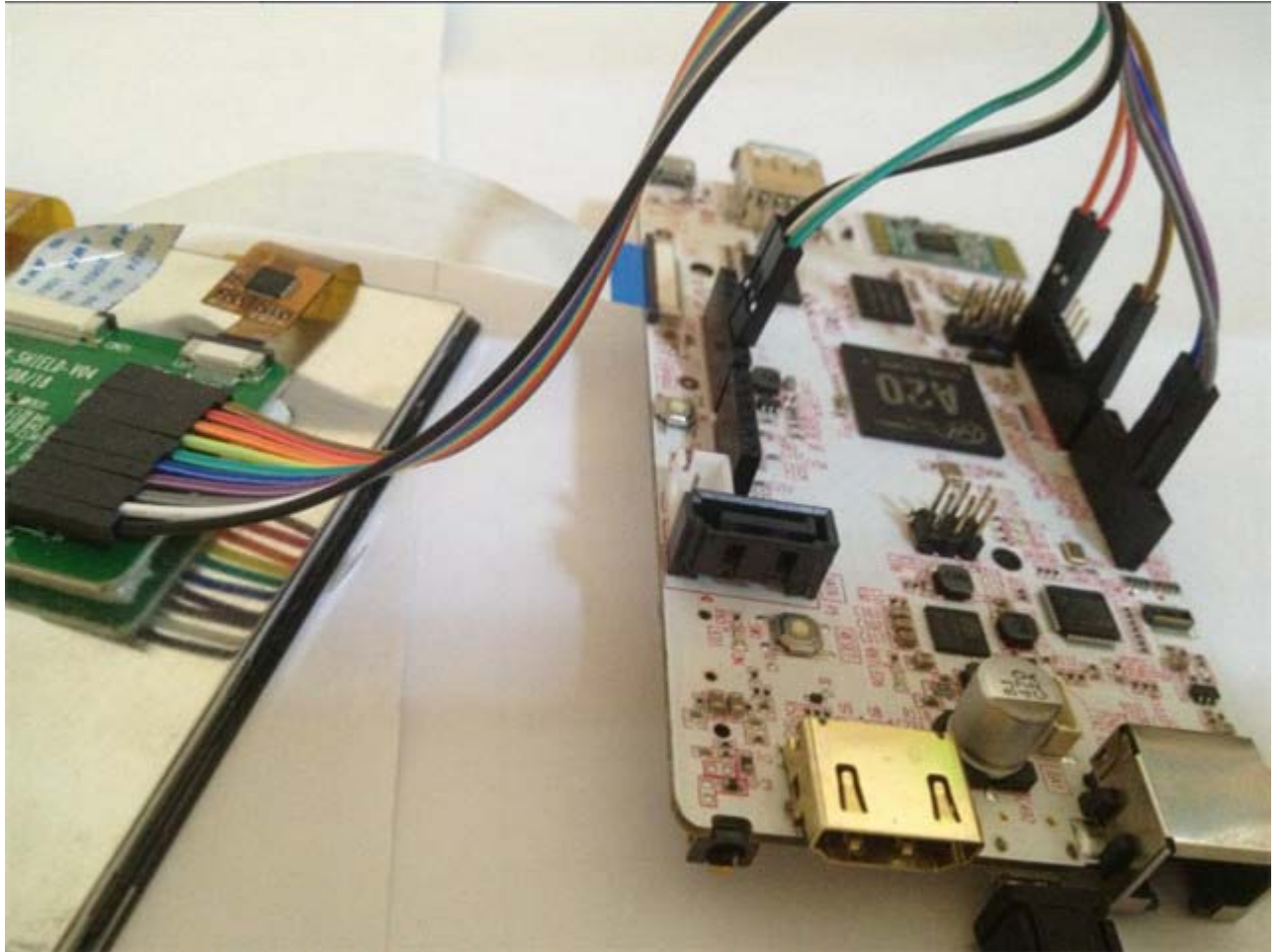


Wire connection

We need to hook up the 10 pins headers using the included male to female jumper wires in the following way:

- Pin 1 of the LCD driver breakout board → 5v of pcDuino
- Pin 2 of the LCD driver breakout board → GND of pcDuino
- Pin 3 of the LCD driver breakout board → D2 of pcDuino
- Pin 4 of the LCD driver breakout board → D3 of pcDuino
- Pin 5 of the LCD driver breakout board → D4 of pcDuino
- Pin 6 of the LCD driver breakout board → GND of pcDuino
- Pin 7 of the LCD driver breakout board → D9 of pcDuino
- Pin 8 of the LCD driver breakout board → SCL of pcDuino
- Pin 9 of the LCD driver breakout board → SDA of pcDuino
- Pin 10 of the LCD driver breakout board → D8 of pcDuino

And make sure that the FPC ribbon is installed correctly.



Usage

To use the LVDS screen, please flash pcDuino3 with the kernel that support LVDS.

As the touch driver hasn't been compiled into the kernel for early version, we may want to manually load it. The touch driver can be downloaded from: <https://github.com/pcduino/modules/tree/master/touch/ft5x>

Copy ft5x_ts.ko on the pcDuino, and run:

```
$insmod ft5x_tx.k
```

