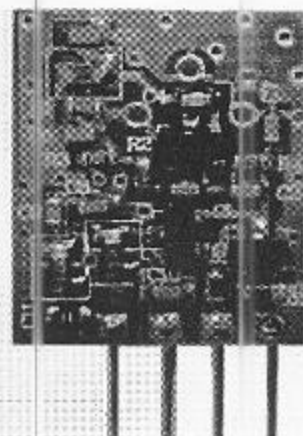


- ◎Ideal for 315/433.92MHz Remote Keyless-Entry Transmitter.
- ◎SAW RESONATOR
- ◎ASK Design

The TXC1 is an ASK transmitter module .The result is excellent performance in a simple-to-use .The TXC1 is designed specifically for remote-control , wireless mouse and car alarm system operating at 315/433.92 Mhz in the USA under FCC Part 15 regulation.

315/433.92MHZ  
Hybrid  
Transmitter



#### Absolute Maximum Ratings

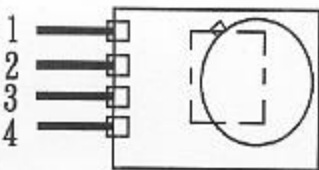
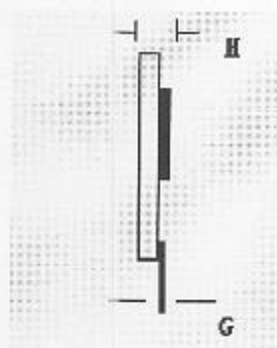
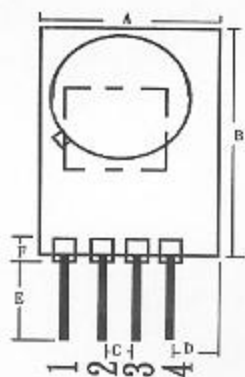
Parameter	Value	Units
Power Supply and/or Modulation Input Voltage	3	V
Operating temperature	-20 to +80	°C

#### Transmitter Characteristics

Parameter	Symbol	Condition	Value		Unit
			min.	typ. max.	
Output power		Vcc=3.0V,TA=27°C, 50Ω load	315MHz	3	dBm
			433.92MHz	3	dBm
Supply current	Icc		10		mA
Supply voltage Range	Vcc		3		V
Data Rate			300	10K	bps

## Pin assignment

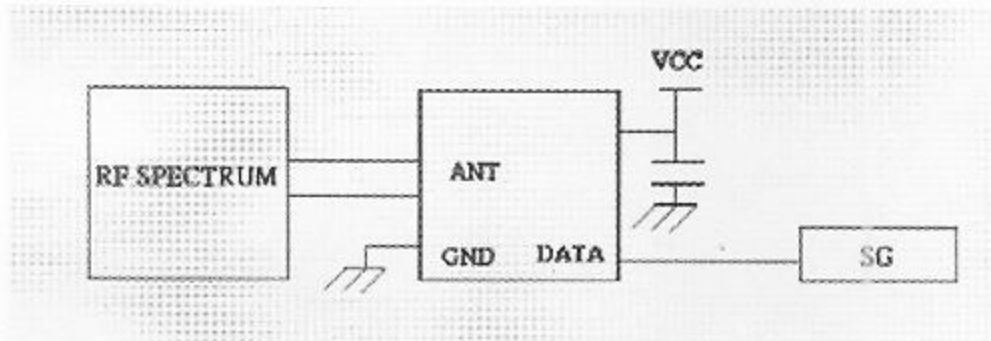
PIN	Connections
1	GND
2	DATA
3	VCC
4	ANT

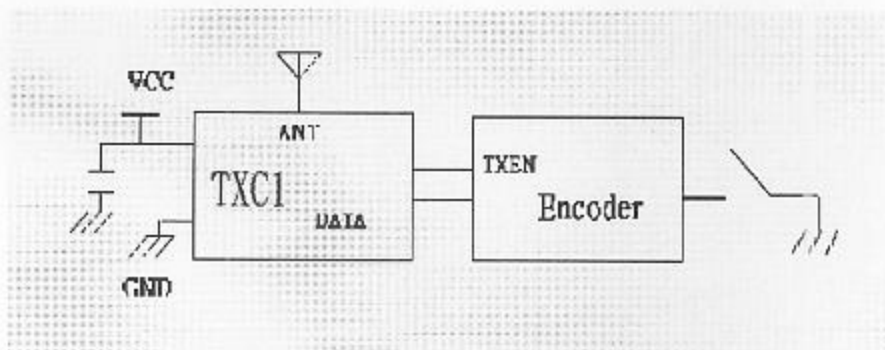
Dimensions	Millimeters	Dimensions	Millimeters
A	14.5 +/-0.25mm	E	5.9 +/-0.1mm
B	18.5 +/-0.25mm	F	0.1 +/-0.05mm
C	2.54 (MAX)	G	0.3 +/-0.01mm
D	5.0 +/-0.1mm	H	4 +/-0.25mm

---

Typing Test Circuit



Typical transmitter Application



Notes:

1. Encoder : HT12D/F , PTC ( 2262 )
  2. Antenna : Length = 22.6cm for 315MHz ; Length = 17.2 cm for 433.92MHz.
-