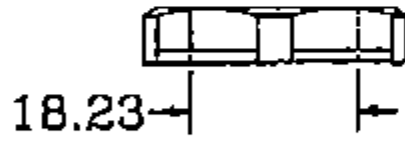




LOCK NUT

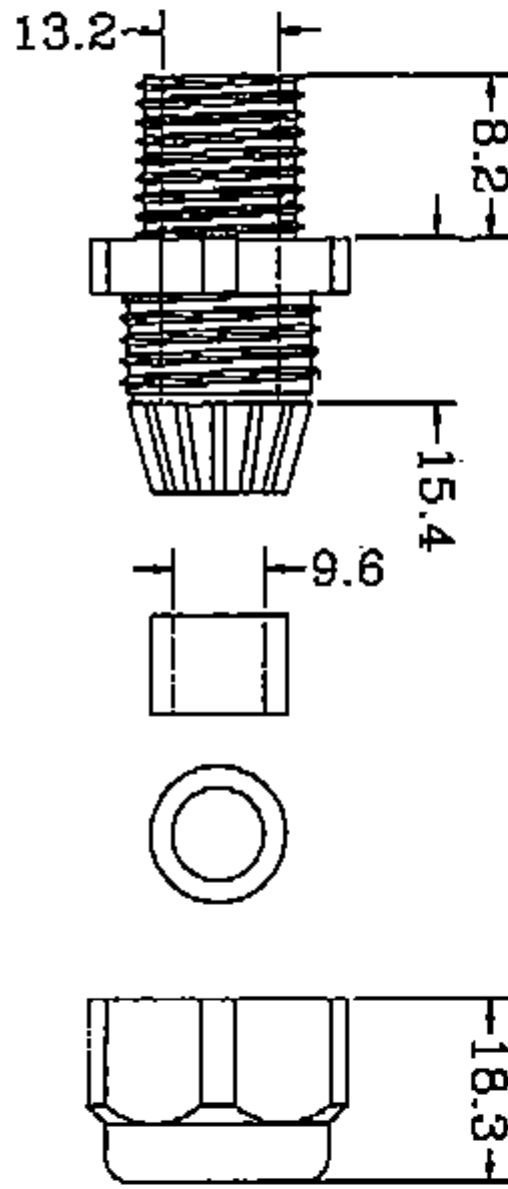


BATY

CLAW

SEALS

NUT



MATERIAL UL 94V-2
NYLON 66

ITEM NO.

HP-0727

SCALE

FINISH

NAME

NYLON CABLE GLAND



TOLERANCE ±0.5mm



11-20-1995
DATE

REVISIONS

K002

R.NO.